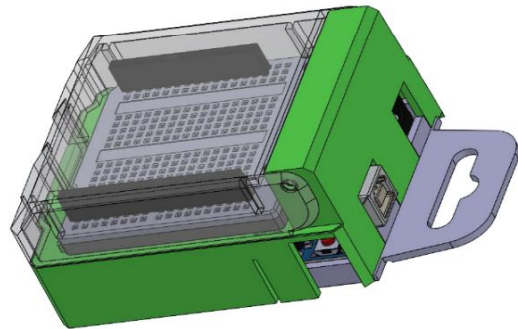
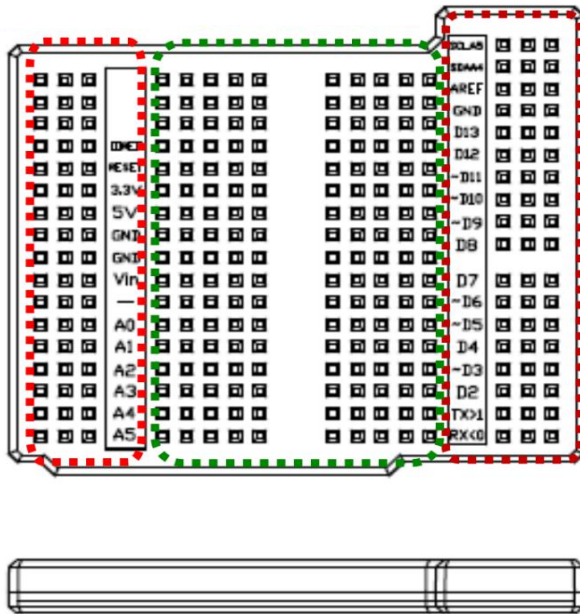


Arduino UNO Breadboard Instructions

Functional Pins
Area

Circuit Parts

Functional Pins Area



As shown in the figure above is a breadboard, and there are many jacks on the breadboard. Every five jacks in the **component plug-in area** are connected in a horizontal row. For example, the five jacks in the same row marked with 1 are connected to each other, and the jacks such as F are prepared for parts, including ICs, resistors, capacitors, and other jacks. The other two sides of the **functional pin area** are the plug-in terminals that connect the functional pins of the ArduinoUNO circuit to the breadboard via the female terminal. The functional jacks for the functional pins are connected to each other in a group of 3 jacks in the entire horizontal row. About the functional pins of the Arduino UNO 3 electronic circuit, please refer to the Arduino UNO 3 related information for each pin's function and application.