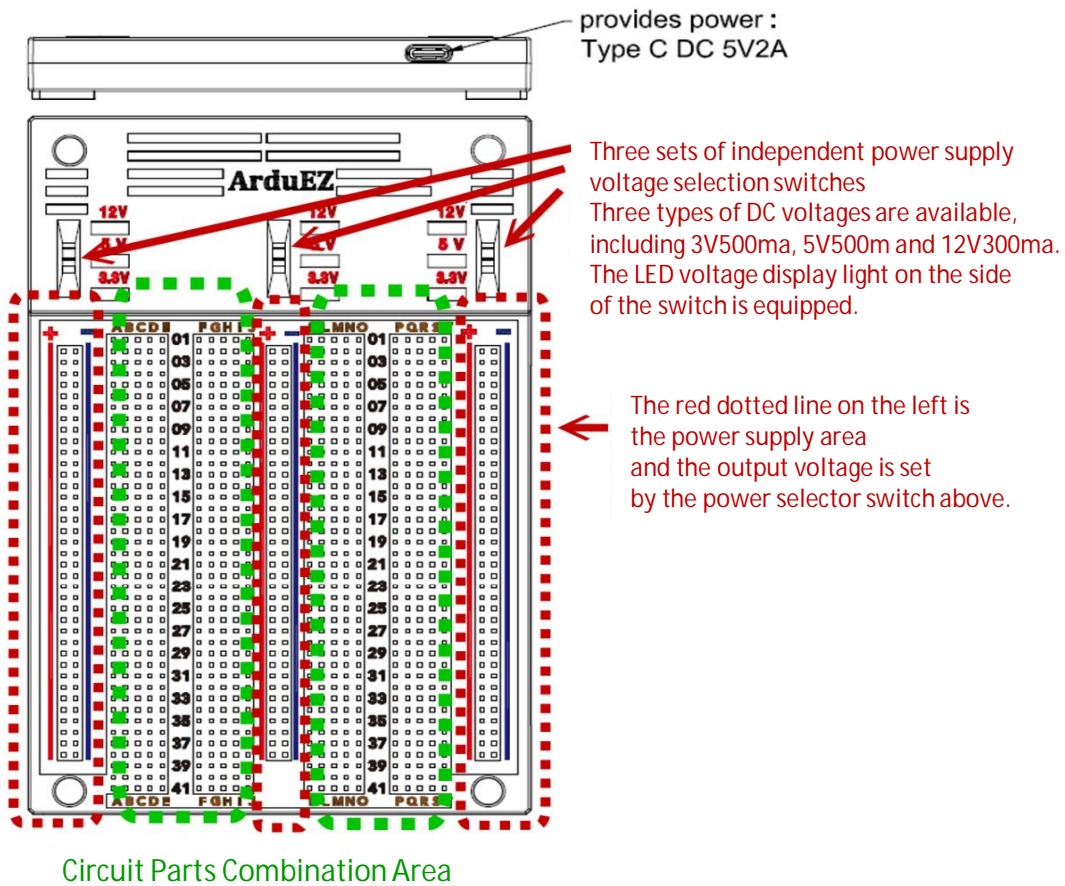


ArduEZ 3-Power Breadboard Instructions



ArduEZ 3-Power + Dual Logic Pen Breadboard Design:

The upper half of the breadboard is the voltage output selection area.

The bottom half of the breadboard has many jacks, providing 1042 jacks for experimental application space in the component plug-in area.

The **power supply area** is equipped with three sets of independent power switches, providing DC 3.3V, 5V, and 12V power output.

The jack near the red line is positive, and the jack near the blue line is negative.

Every five jacks in the **component plug-in area** are connected in a horizontal row.

This type of jack is prepared for parts, including IC, resistors, capacitors, and other jacks to form the experimental circuit.